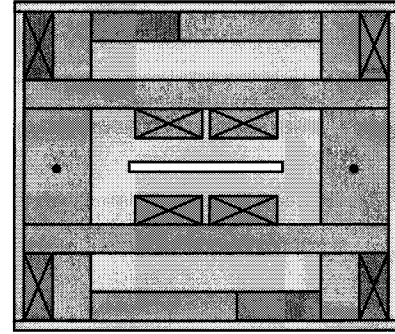
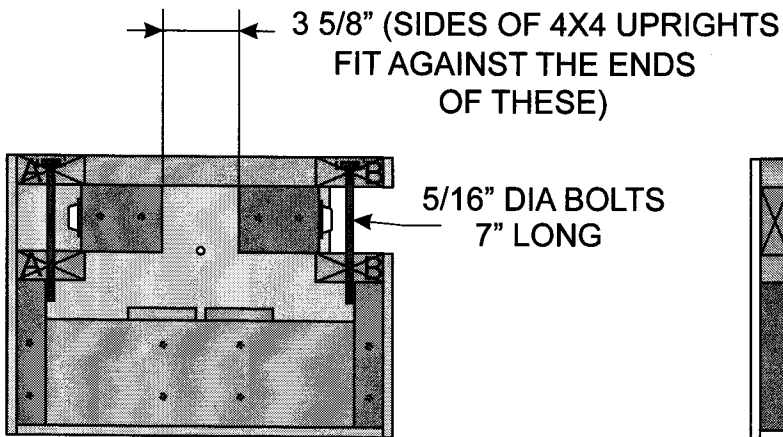


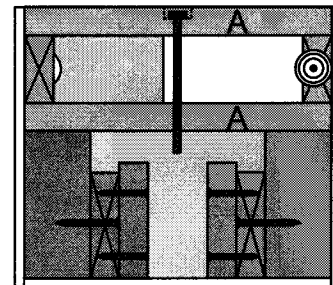
ASSEMBLED VIEW
(FROM ABOVE)



ASSEMBLED VIEW
(FROM BELOW)



ASSEMBLED VIEW
(FROM FRONT OR BACK)



ASSEMBLED VIEW
(FROM EITHER SIDE)

Each view is with the facing panel removed. X's denote the ends of boards.