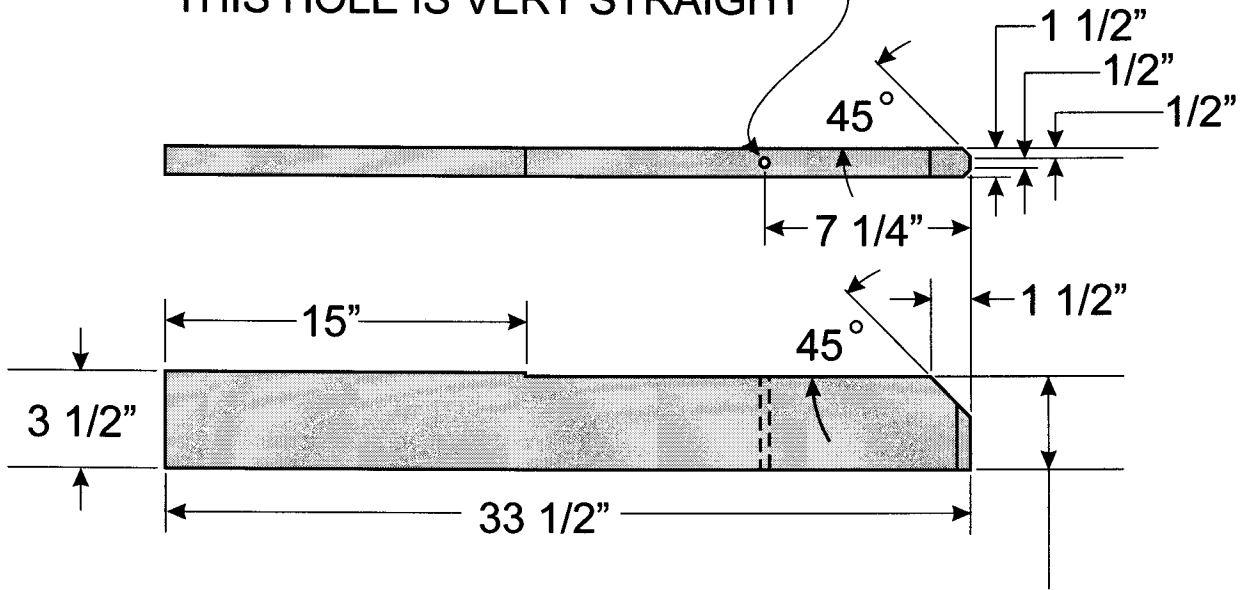
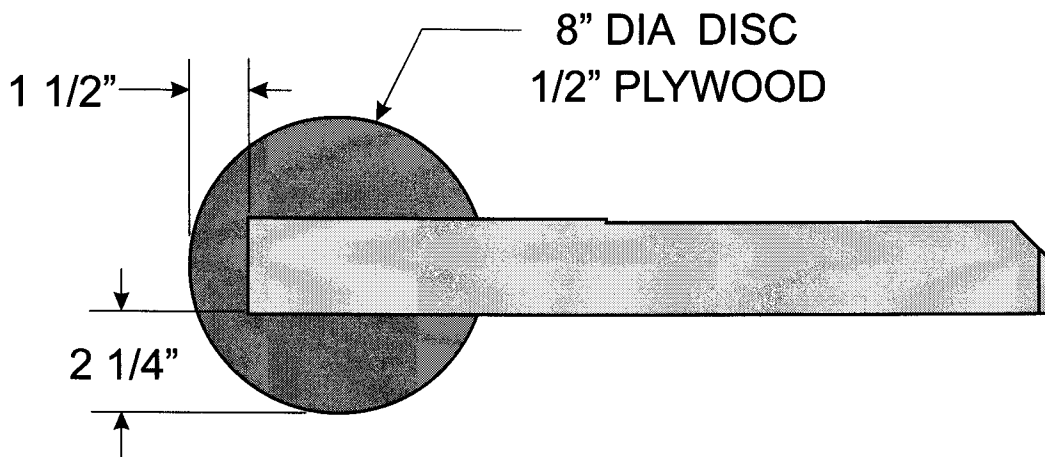


3/8" DIA HOLE - MAKE SURE THIS HOLE IS VERY STRAIGHT



SWING ARM
2 PCS

*3 3/8**
(CUT TO GIVE AT LEAST
1/16" CLEARANCE IN
ASSEMBLED BOX)



TARGET
2 PCS